

PERIMETER OF RECTANGLES



GET READY



1) One side of a square is 11 km.
What is the square's perimeter?

2 a) $2 \times 9 =$

b) $42 - 18 =$

c) Subtract 2×9 from 42

3) $6,000 \text{ m} = \underline{\quad} \text{ km}$

4) $9 + 3 + 3 + 9 = \underline{\quad} \times 2 + 9 \times \underline{\quad}$

1) One side of a square is 11 km.
What is the square's perimeter? 44 km

2 a) $2 \times 9 = 18$

b) $42 - 18 = 24$

c) Subtract 2×9 from 42 24

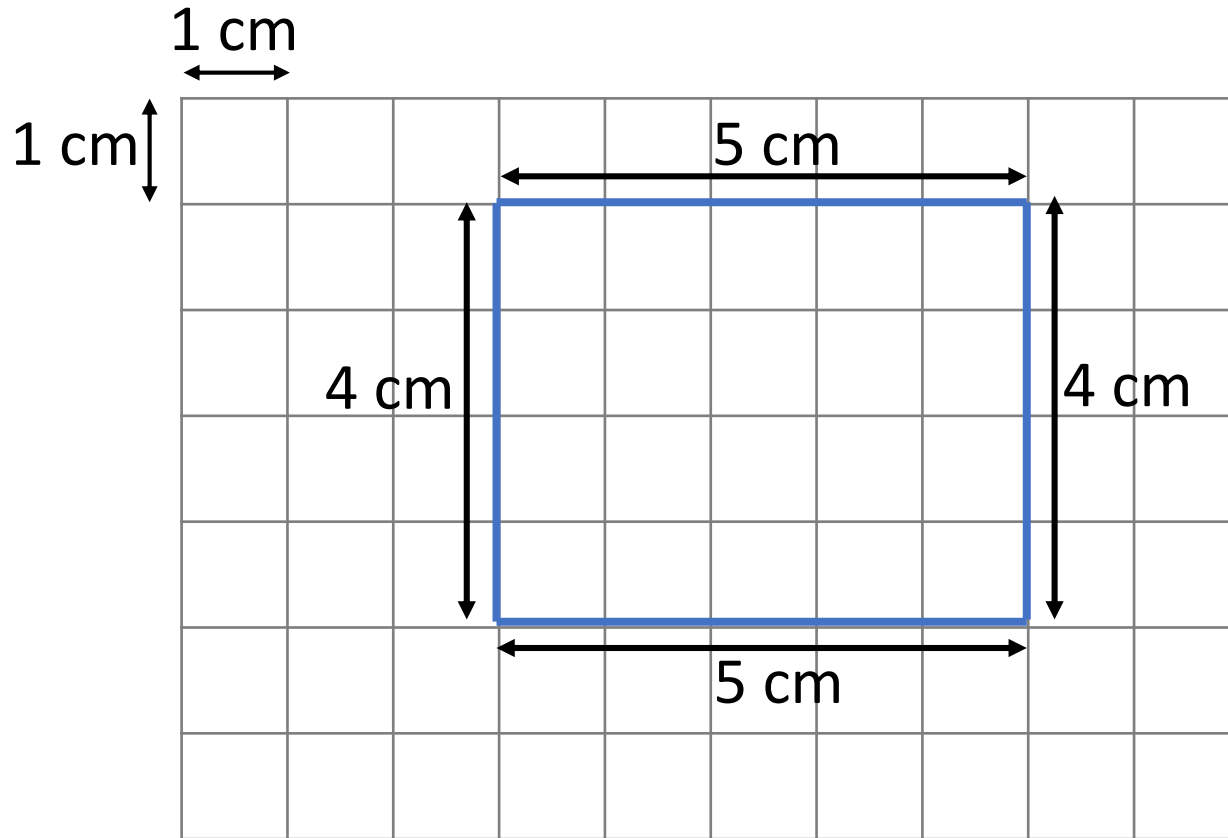
3) $6,000 \text{ m} = \underline{6} \text{ km}$

4) $9 + 3 + 3 + 9 = \underline{3} \times 2 + 9 \times \underline{2}$

LET'S LEARN



Perimeter = the length around a closed 2D shape



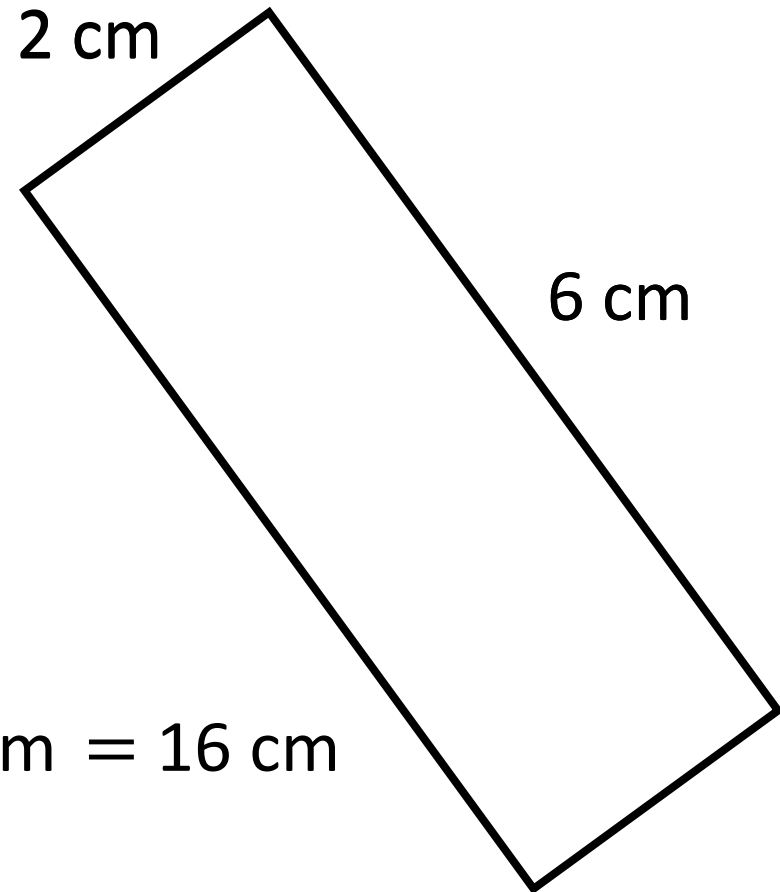
$$5 \text{ cm} + 4 \text{ cm} + 5 \text{ cm} + 4 \text{ cm} = 18 \text{ cm}$$

Have a think



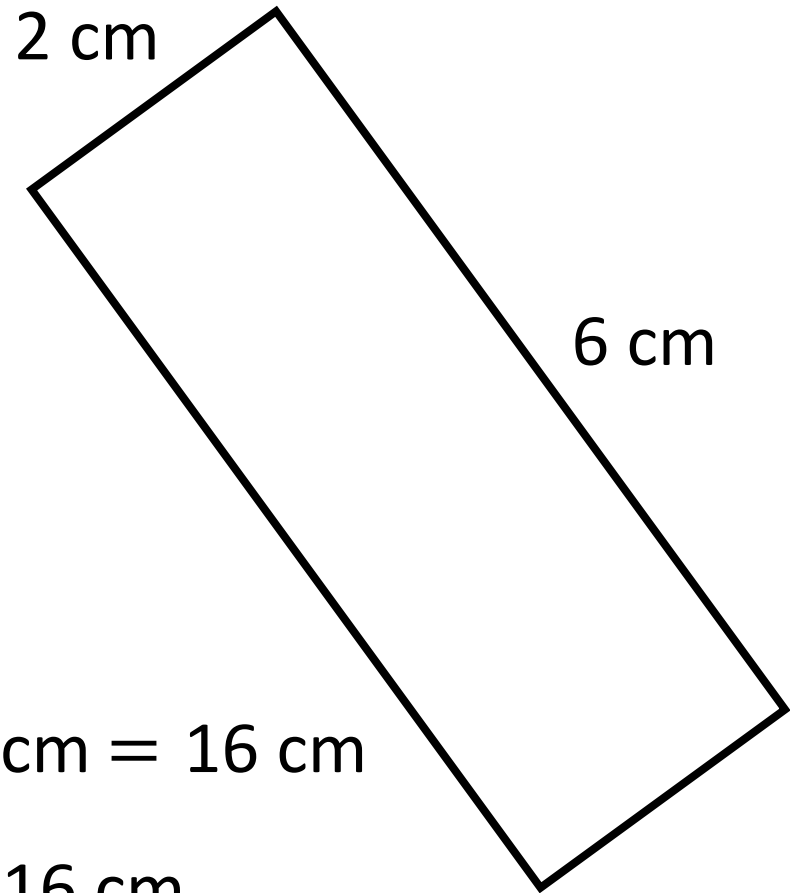
Note down the features of a rectangle.

- 2D shape
- 4 sides
- All sides are straight
- 2 pairs of equal sides



Perimeter = 86cm?

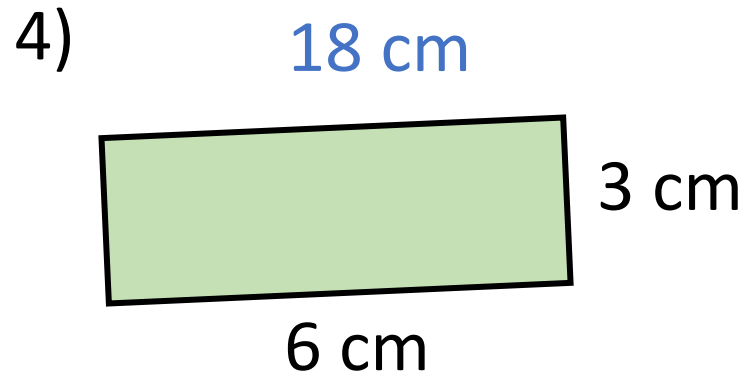
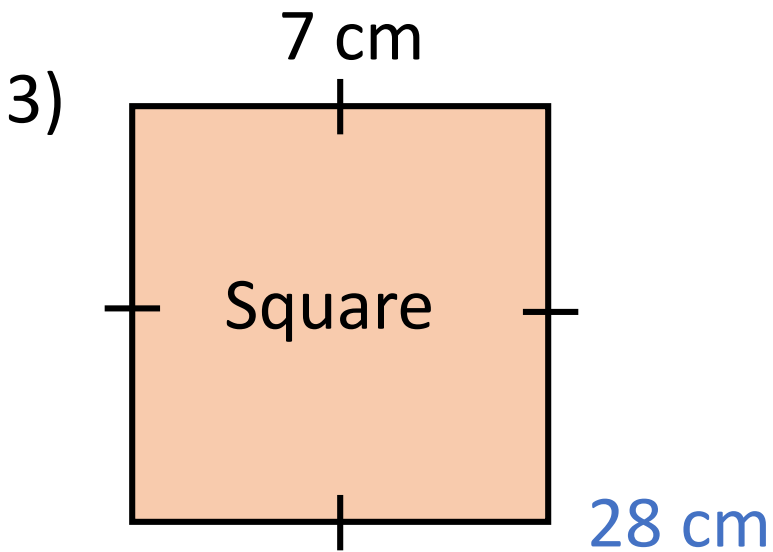
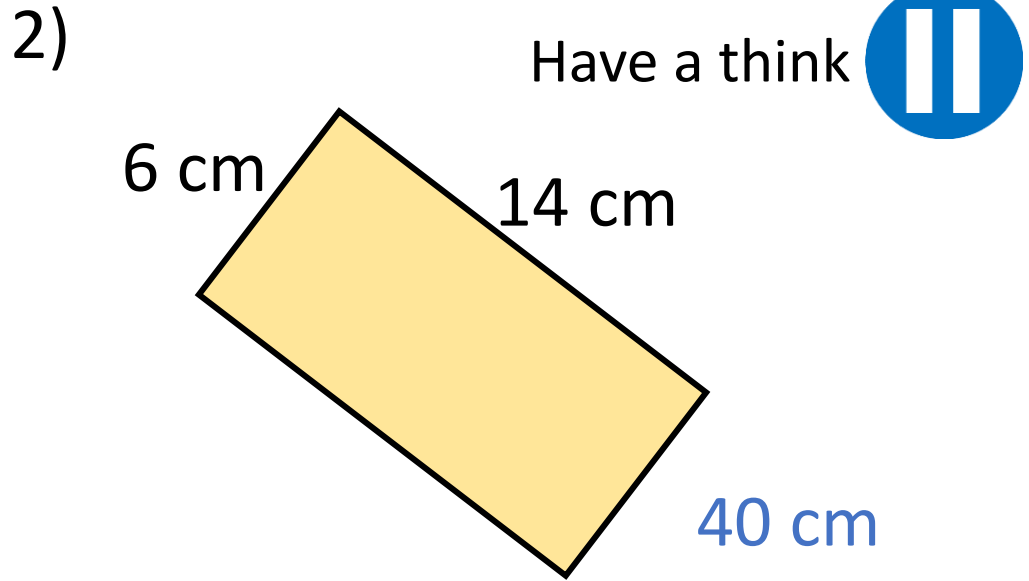
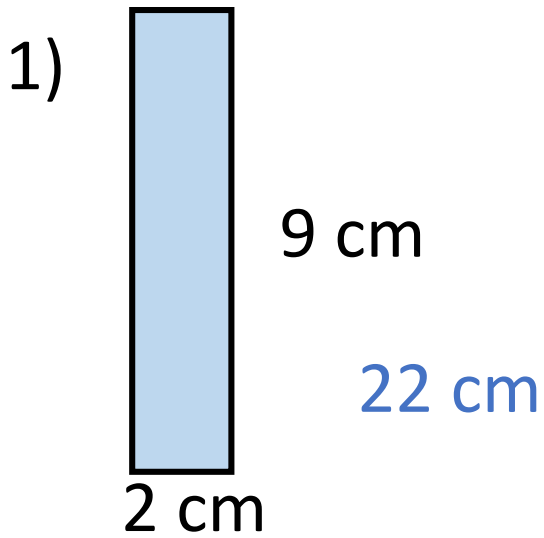
$$6 \text{ cm} + 2 \text{ cm} + 6 \text{ cm} + 2 \text{ cm} = 16 \text{ cm}$$



$$6 \text{ cm} + 2 \text{ cm} + 6 \text{ cm} + 2 \text{ cm} = 16 \text{ cm}$$

$$6 \text{ cm} \times 2 + 2 \text{ cm} \times 2 = 16 \text{ cm}$$

$$8 \text{ cm} \times 2 = 16 \text{ cm}$$



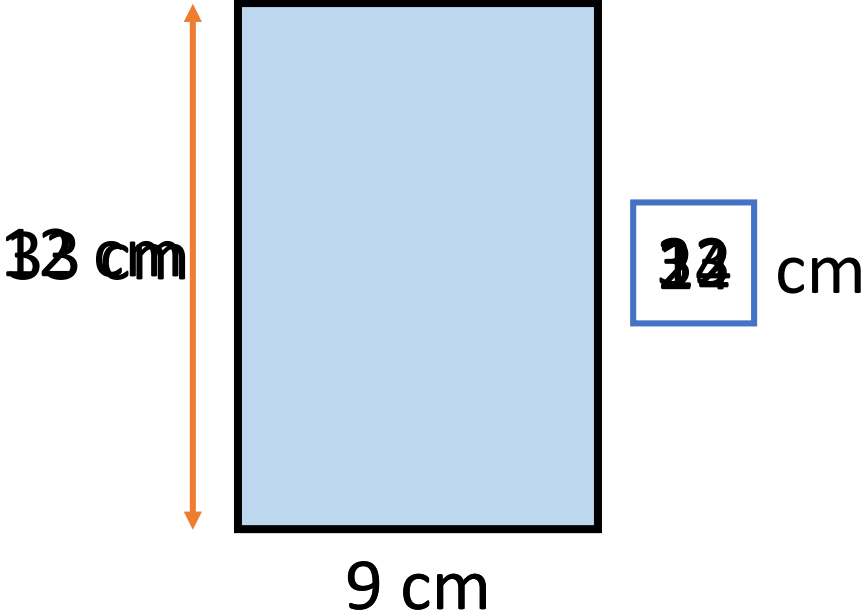
YOUR TURN

Have a go at questions
1 - 3 on the worksheet



Perimeter of the rectangle = 42 cm

9 cm



$$42 \text{ cm} - 18 \text{ cm} = 24 \text{ cm}$$

$$24 \text{ cm} \div 2 = 12 \text{ cm}$$

YOUR TURN

Have a go at questions
4 - 5 on the worksheet

